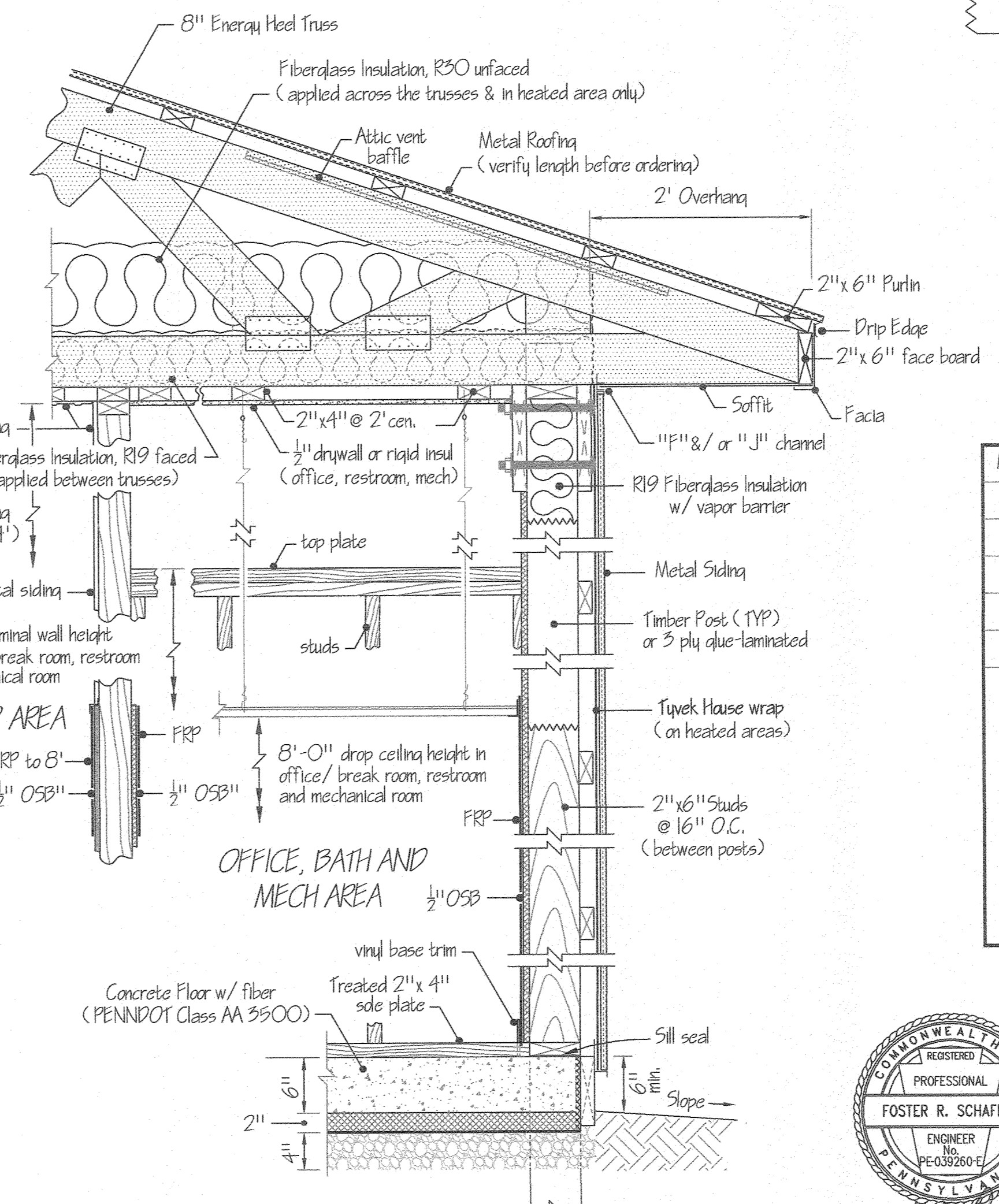
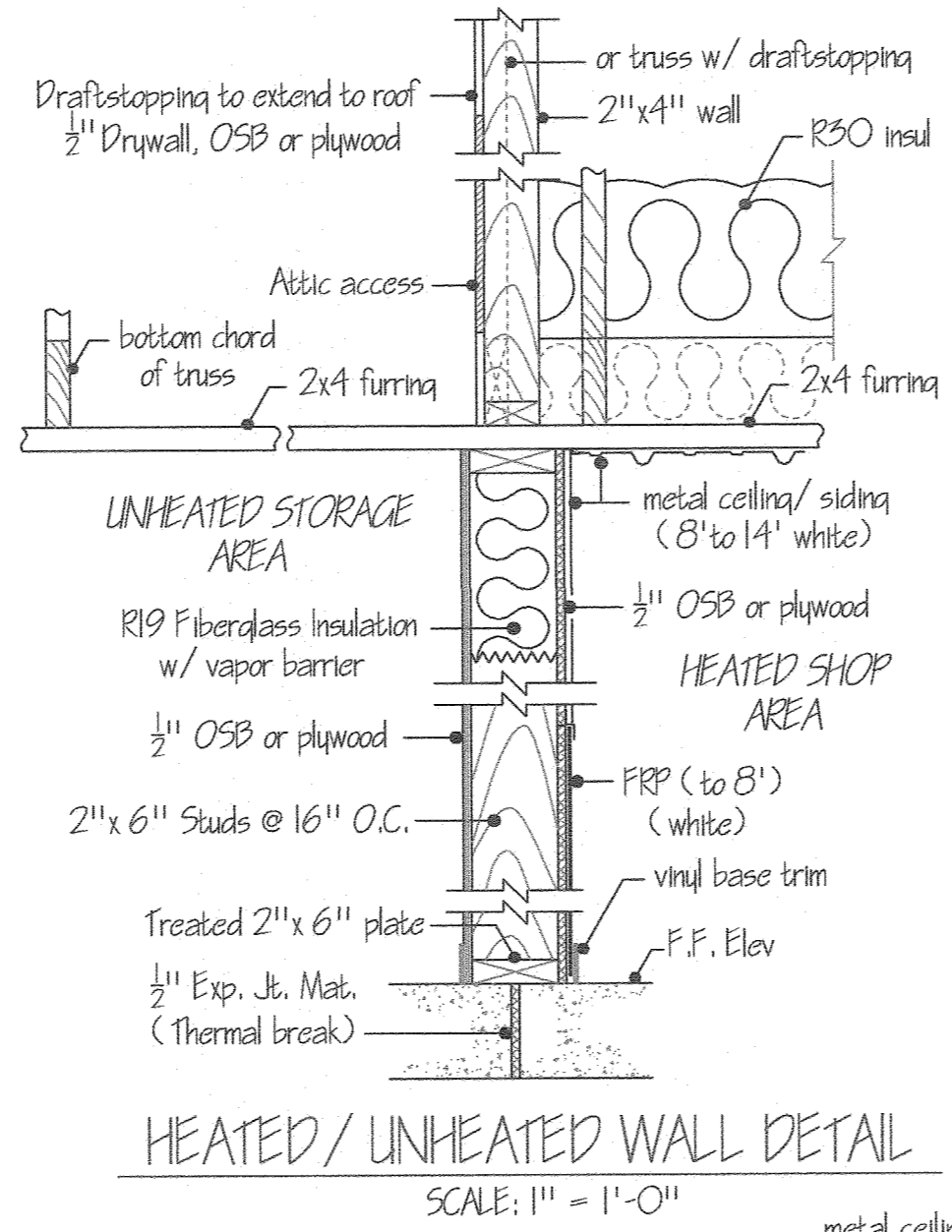
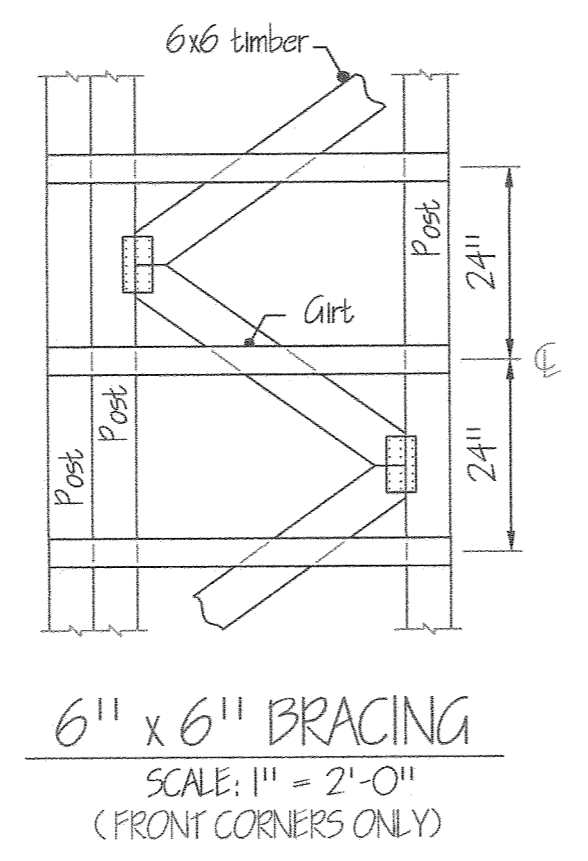
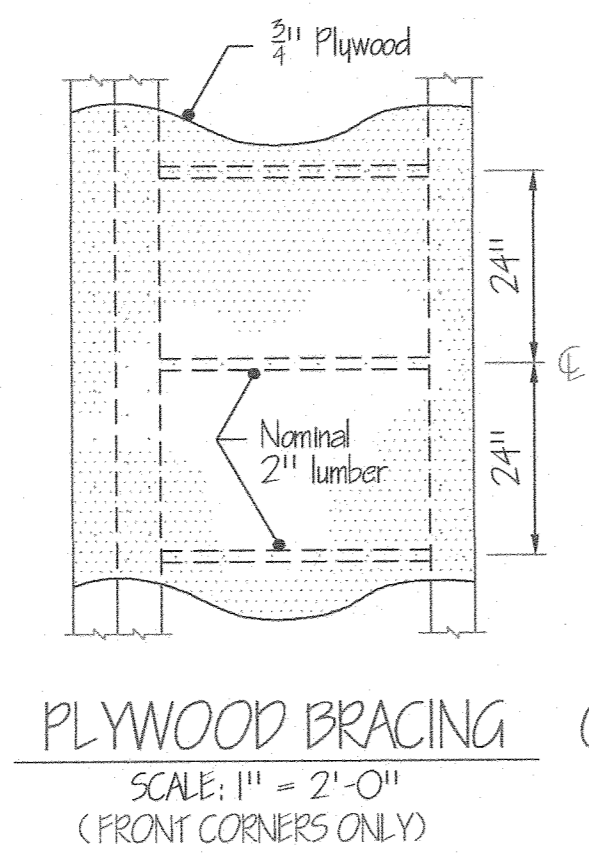
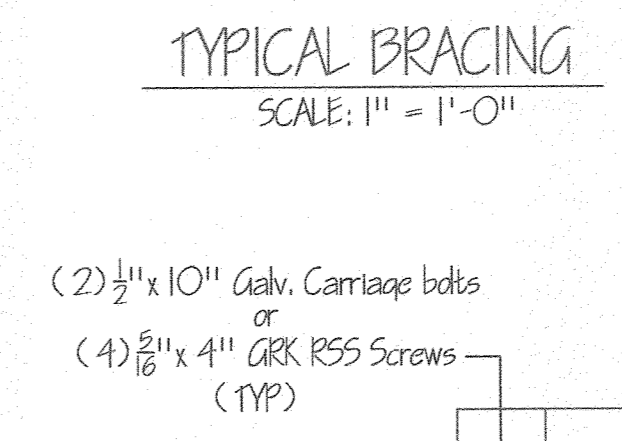
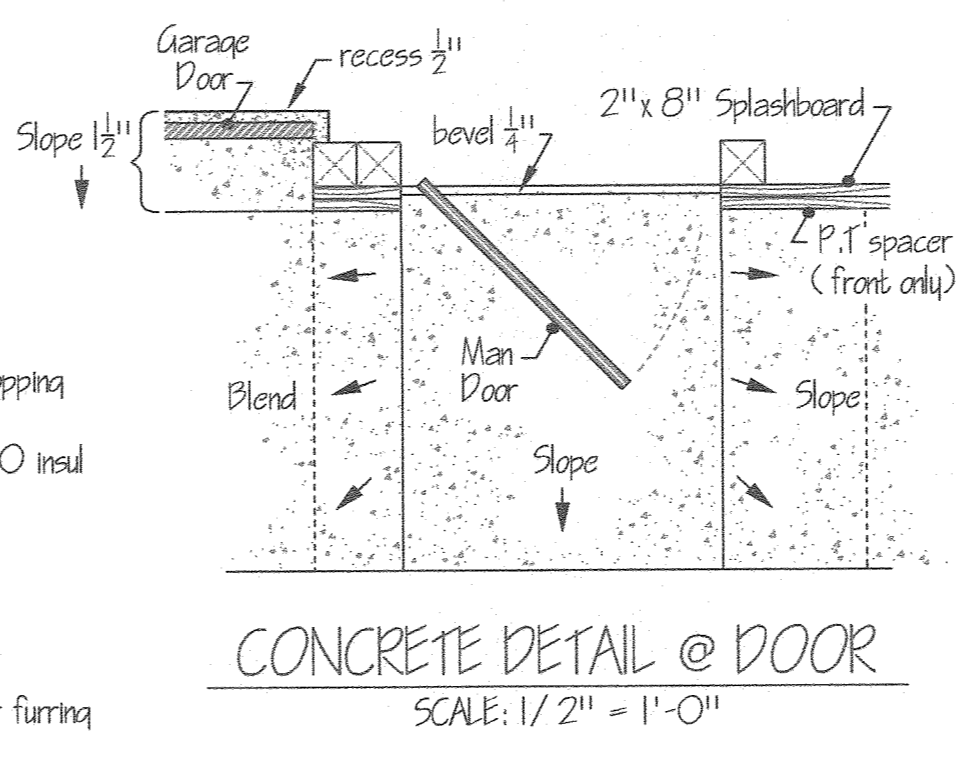
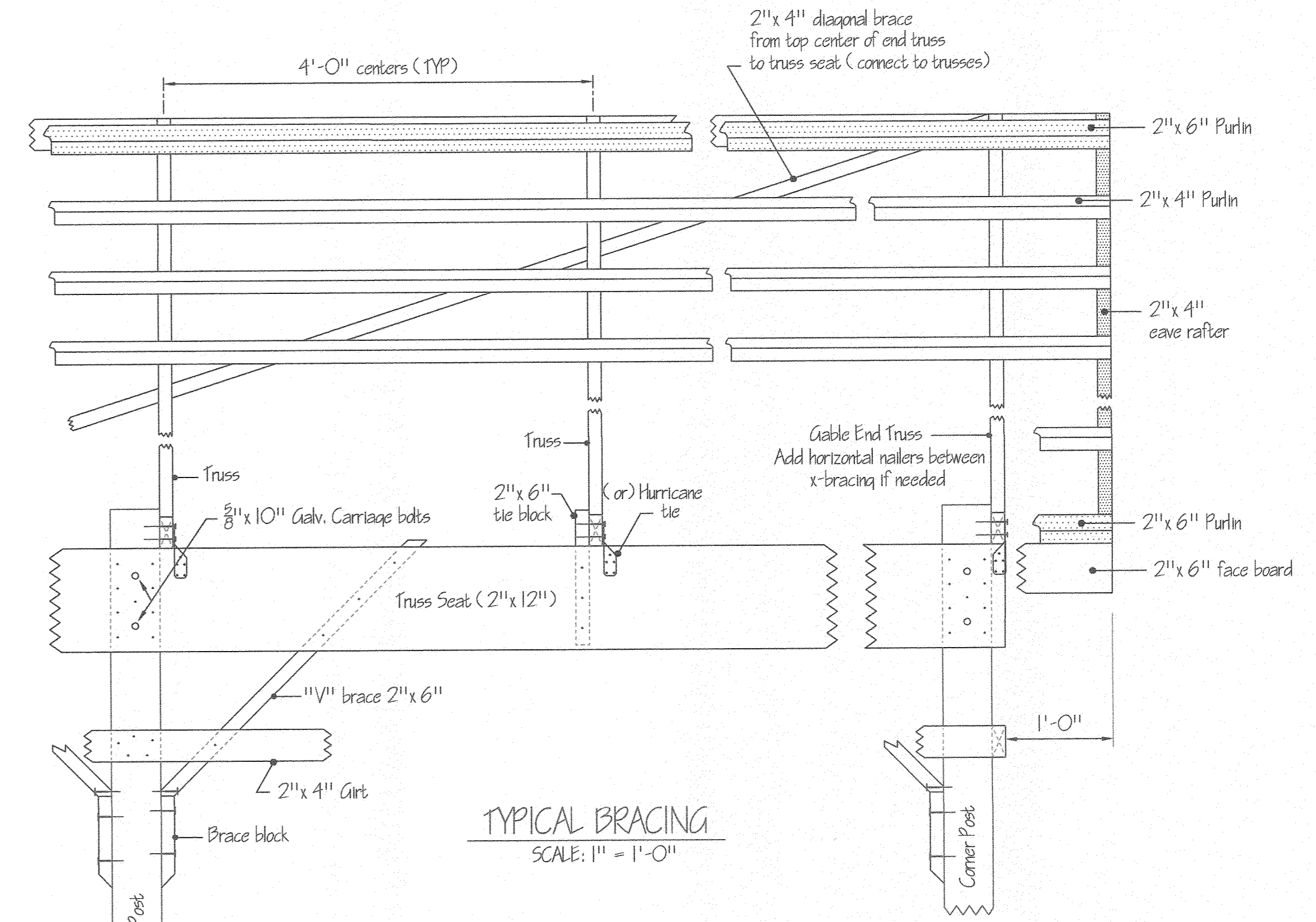
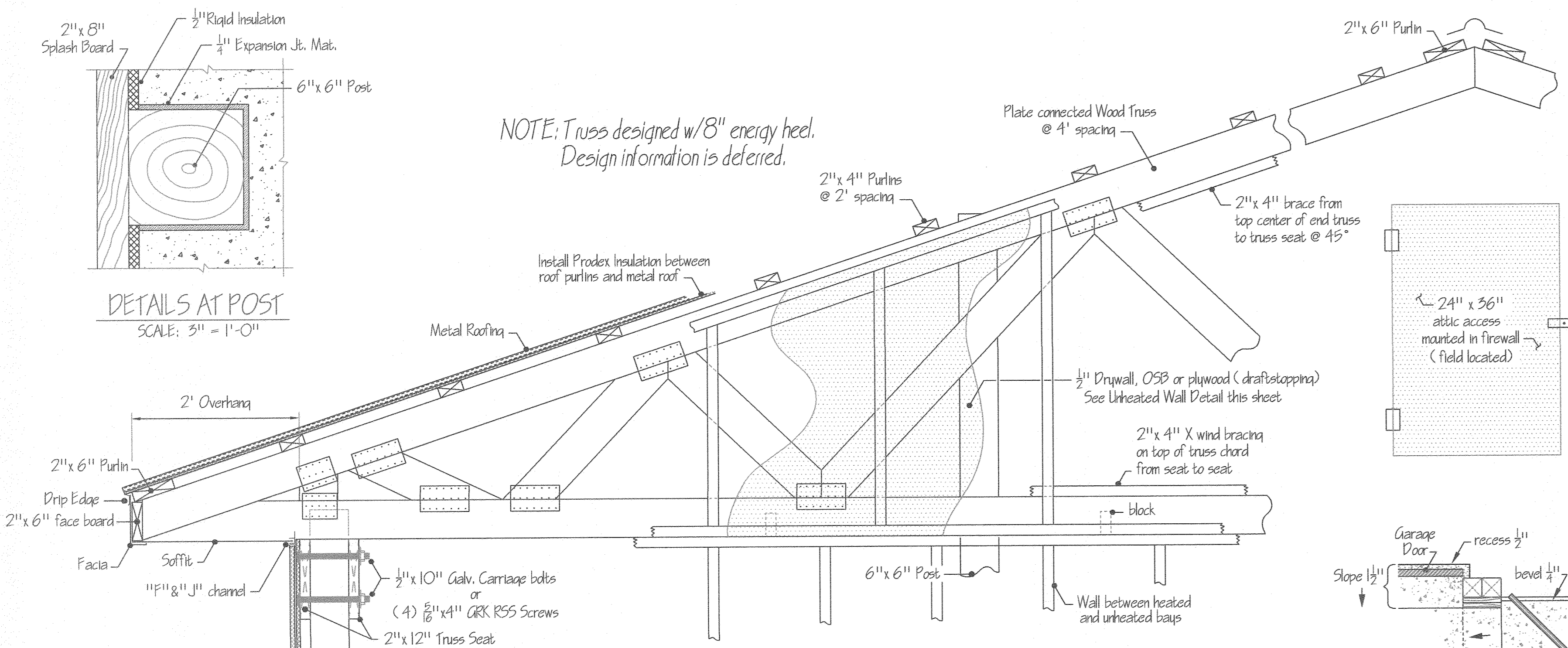


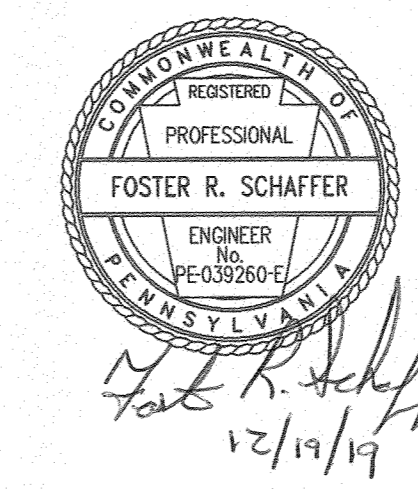
NOTE: Truss designed w/ 8" energy heel.
Design information is deferred.



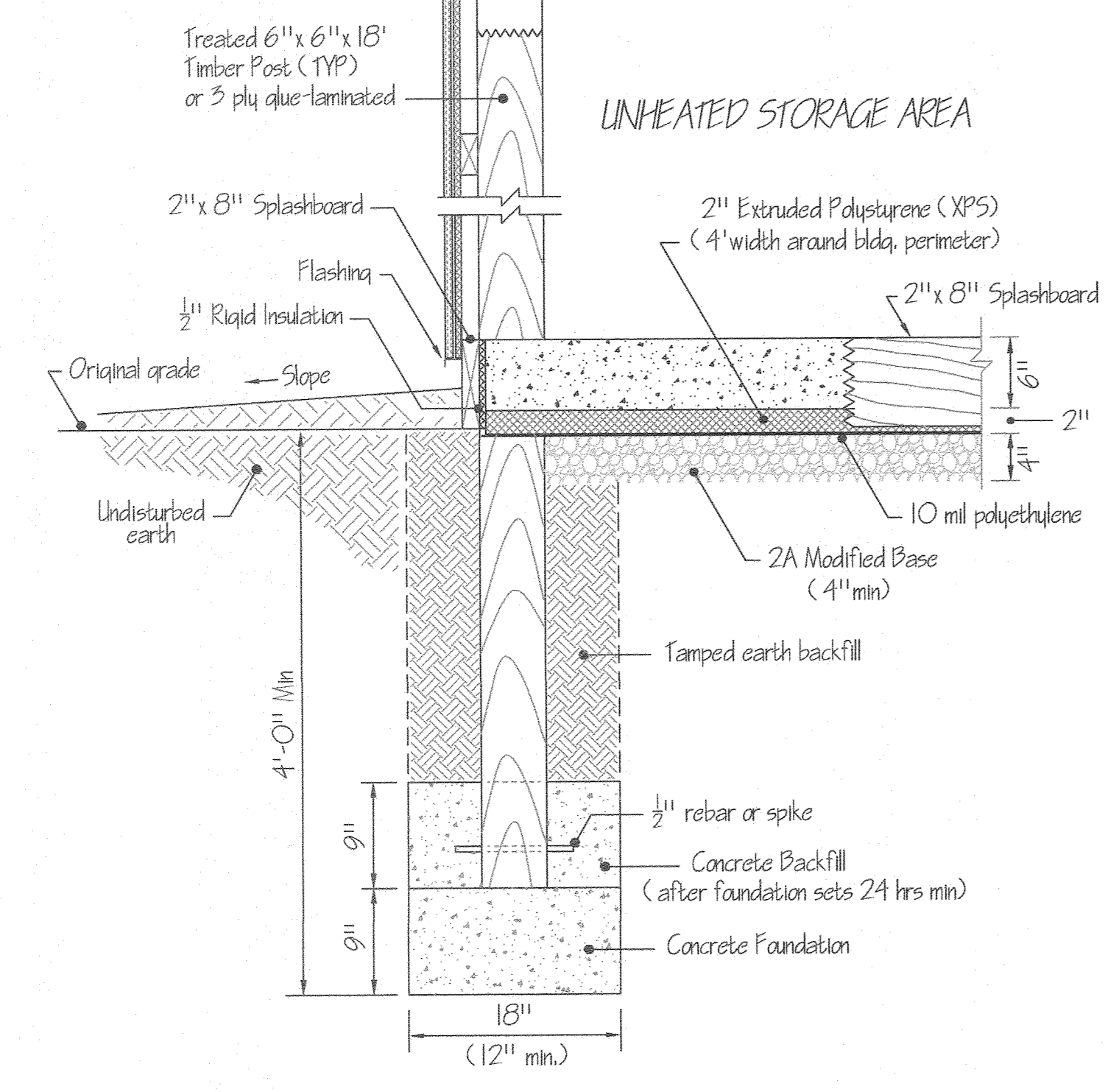
Mark	Type	W	H	T	Hand	Qty	Remarks
A	5	3'-0"	7'-0"	1-3/4"	RHR	5	Insulated Core w/ glass, Panic Bolt, Closure
B	1	3'-0"	7'-0"	1-3/4"	LH	1	Non-insulated w/ glass & passage set
B	1	3'-0"	7'-0"	1-3/4"	LHR	1	Non-insulated w/ glass & passage set
B	4	3'-0"	7'-0"	1-3/4"	RHR	1	Non-insulated w/ glass, vent & passage set
C	2	3'-0"	7'-0"	1-3/4"	LH	1	Non-insulated Core w/ lockset

Type	W	H	T
Type 1	3'-0"	7'-0"	1-3/4"
Type 2	3'-0"	7'-0"	1-3/4"
Type 3	3'-0"	7'-0"	1-3/4"
Type 4	3'-0"	7'-0"	1-3/4"

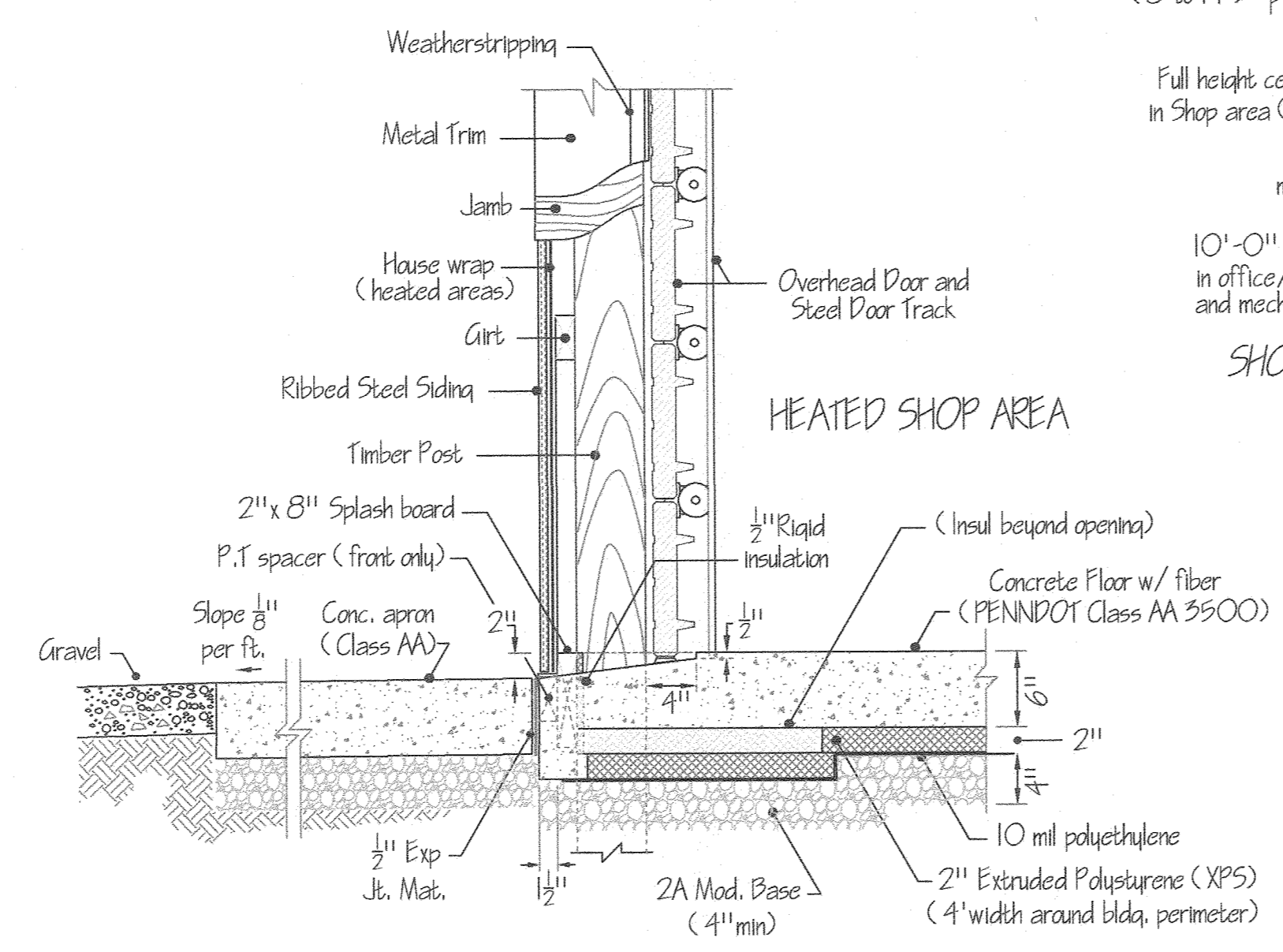
DOOR SCHEDULE



PENNYSYLVANIA GAME COMMISSION		
STATE GAME LANDS #322	LOGAN TWP.	HUNTINGDON CO.
FRAMING DETAILS		
REVISIONS	PROJECT NO. PGC-322-19-1	522-DETAILS-2
	DRAWING NO. JBM	12-19-19
	DATE: 12/19-19	2 OF 5
	SHEET NO.	



CROSS SECTION DETAIL 1
SCALE: 1" = 1'-0"



O.H. DOOR SILL AND JAMB DETAIL 2
SCALE: 1" = 1'-0"

CROSS SECTION DETAIL 3
SCALE: 1" = 1'-0"